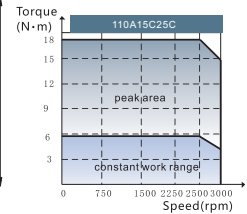
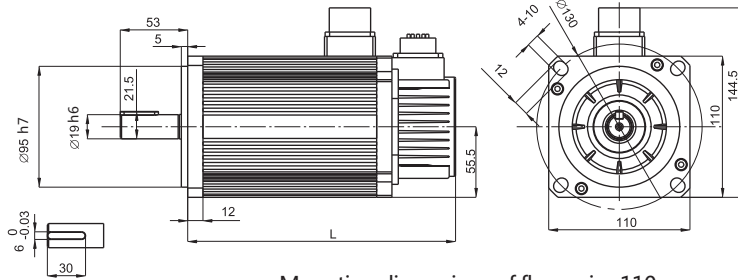
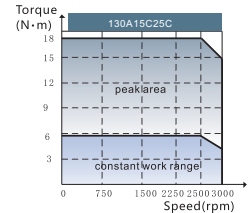
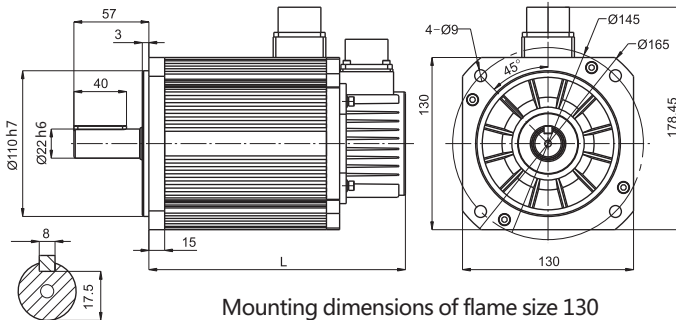


110mm, 130mm Permanent Magnet AC Servo Motors - Technical Parameters (*natural cooling*)



Mounting dimensions of flame size 110



Mounting dimensions of flame size 130

Flame size 110mm

Model	Rated Torque	Rated Voltage	Rated Speed	Rated Power	Rated Current	Kt	Ke	Max. Speed	Max. Torque	Rotor Inertia	Poles	Weight	Length	Length (with braker)
	N.m	Vac	rpm	kW	A									
110A10C25C	3.8	220	2500	1.0	3.9	1.04	63	3000	11.7	7.6	8	5	183	238
110A15C25C	5.8	220	2500	1.5	6.0	1.04	63	3000	17.4	11.5	8	7	219	274

Flame size 130mm

Model	Rated Torque	Rated Voltage	Rated Speed	Rated Power	Rated Current	Kt	Ke	Max. Speed	Max. Torque	Rotor Inertia	Poles	Weight	Length
	N.m	Vac	rpm	kW	A								
130A60B10C	5.7	220	1000	0.6	2.5	2.5	152.2	1350	17.2	12	8	7	160
130A10C10C	9.6	220	1000	1.0	4.2	2.5	150.5	1350	28.7	23	8	9	200
130A15C10C	14.3	220	1000	1.5	6.2	2.6	157.5	1350	43.0	30	8	10	230
130A20C10C	19.1	220	1000	2.0	7.6	2.8	170.5	1350	57.3	45	8	13	290
130A75B15C	4.8	220	1500	0.75	3.2	1.7	101.1	2000	14.3	11	8	7	160
130A10C15C	6.4	220	1500	1.0	4.1	1.7	103.7	2000	19.1	12	8	7	160
130A15C15C	9.6	220	1500	1.5	6.2	1.7	103.6	2000	28.7	23	8	9	200
130A23C15C	14.7	220	1500	2.3	9.8	1.7	103.7	2000	44.0	34	8	11	250
130A10C20C	4.8	220	2000	1.0	4.0	1.4	83.0	2500	14.3	12	8	7	160
130A15C20C	7.2	220	2000	1.5	6.1	1.3	80.3	2500	21.5	22	8	8	200
130A20C20C	9.6	220	2000	2.0	8.1	1.3	80.1	2500	28.7	23	8	9	200
130A30C20C	14.3	220	2000	3.0	11.0	1.5	88.3	2500	43.0	34	8	11	250
130A13C25C	5.0	220	2500	1.3	5.2	1.1	64.8	3000	14.9	12	8	7	160
130A25C25C	9.6	220	2500	2.5	9.9	1.1	65.9	3000	28.7	23	8	9	200
130A15C30C	4.8	220	3000	1.5	5.7	0.9	57.1	3600	14.3	12	8	7	160
130A20C30C	6.4	220	3000	2.0	7.6	1.0	58.5	3600	19.1	23	8	9	200
130A30C30C	9.6	220	3000	3.0	11.7	0.9	56.7	3600	28.7	30	8	10	230

Insulation grade: Class-H; Thermal protection : PT100, with KTY optional; Protection grade: IP65;
Wiring method: Aviation plug; Braker: Optional; Working standard: Long-term, S1; 380V voltage class: Optional