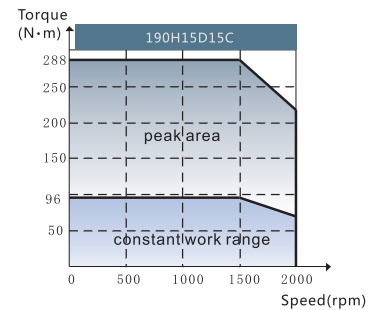
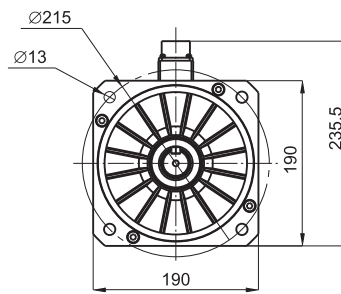
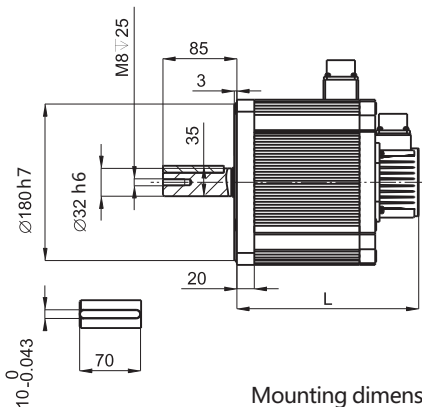


190mm Permanent Magnet AC Servo Motors - Technical Parameters (*natural cooling*)



Mounting dimensions of flame size 190 (*natural cooling*)

Flame size 190mm													
Model	Rated Torque	Rated Voltage	Rated Speed	Rated Power	Rated Current	Kt	Ke	Max. Speed	Max. Torque	Rotor Inertia	Poles	Weight	Length
	N.m	Vac	rpm	kW	A	N.m/A	V/krpm	rpm	N.m	Kg.cm ²	poles	Kg	mm
190H33C15C	21	380	1500	3.3	8.5	2.7	165	2000	63	37	10	17	173
190H44C20C	21	380	2000	4.4	10.5	2.2	135	2500	63	37	10	17	173
190H55C25C	21	380	2500	5.5	12.0	1.9	114	3000	63	37	10	17	173
190H65C30C	21	380	3000	6.5	14.0	1.6	96	3600	63	37	10	17	173
190H40C15C	26	380	1500	4.0	10.0	2.8	170	2000	78	55	10	20	196
190H55C20C	26	380	2000	5.5	13.0	2.2	135	2500	78	55	10	20	196
190H70C25C	26	380	2500	7.0	16.5	1.9	114	3000	78	55	10	20	196
190H80C30C	26	380	3000	8.0	19.0	1.6	96	3600	78	55	10	20	196
190H55C15C	35	380	1500	5.5	13.0	2.9	176	2000	105	74	10	23	226
190H75C20C	35	380	2000	7.5	16.0	2.4	145	2500	105	74	10	23	226
190H90C25C	35	380	2500	9.0	20.0	1.9	114	3000	105	74	10	23	226
190H11D30C	35	380	3000	11.0	23.0	1.6	96	3600	105	74	10	23	226

Insulation grade: Class-H; Thermal protection : PT100, with KTY optional; Protection grade: IP65;
Wiring method: Aviation plug; Braker: Optional; Working standard: Long-term, S1