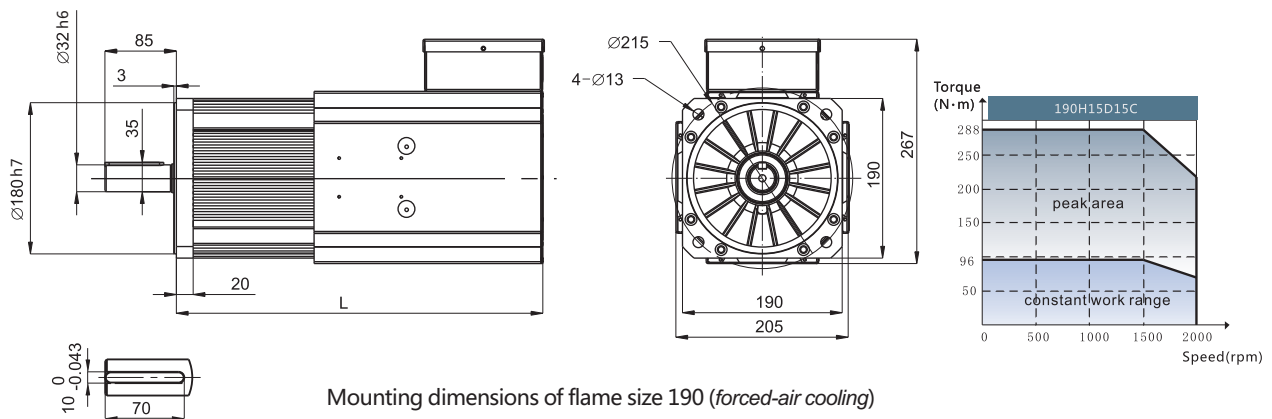


190mm Series Permanent Magnet AC Servo Motors - Technical Parameters (*forced-air cooling*)



Flame size 450mm													
Model	Rated Torque	Rated Voltage	Rated Speed	Rated Power	Rated Current	Kt	Ke	Max. Speed	Max. Torque	Rotor Inertia	Poles	Weight	Length
	N.m	Vac	rpm	kW	A	N.m/A	V/krpm	rpm	N.m	Kg.cm ²	poles	Kg	mm
190H75C15C	48	380	1500	7.5	17	3.1	191	2000	144	54	10	21	256
190H90C17C	48	380	1700	9.0	19	2.8	170	2210	144	54	10	21	256
190H11D20C	48	380	2000	11.0	23	2.3	141	2500	144	54	10	21	256
190H11D15C	70	380	1500	11.0	24	3.1	193	2000	210	81	10	34	416
190H13D17C	70	380	1700	12.5	27	2.8	174	2210	210	81	10	34	416
190H15D20C	70	380	2000	15.0	33	2.4	143	2500	210	81	10	34	416
190H15D15C	96	380	1500	15.0	32	3.2	198	2000	288	107	10	37	456
190H17D17C	96	380	1700	17.0	37	2.8	172	2210	288	107	10	37	456
190H20D20C	96	380	2000	20.0	43	2.4	147	2500	288	107	10	37	456
190H19D15C	118	380	1500	18.5	40	3.2	195	2000	354	134	10	41	496
190H21D17C	118	380	1700	21.0	45	2.8	173	2210	354	134	10	41	496
190H25D20C	118	380	2000	25.0	56	2.4	141	2500	354	134	10	41	496
190H22D15C	140	380	1500	22.0	48	3.2	195	2000	420	160	10	45	536
190H25D17C	140	380	1700	25.0	55	2.8	169	2210	420	160	10	45	536
190H29D20C	140	380	2000	29.0	65	2.4	143	2500	420	160	10	45	536

Insulation grade: Class-H; Thermal protection : PT100, with KTY optional; Protection grade: IP65(except the part of the wind hood); Wiring method: Aviation plug or terminal box; Fan voltage: 220V; Working standard: Long-term, S1