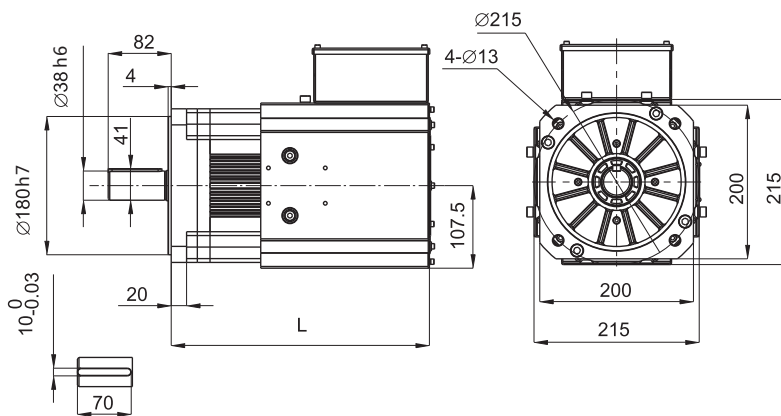
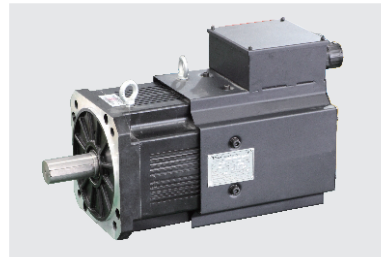
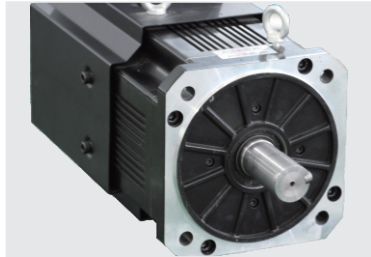
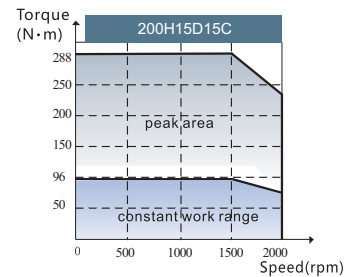


200mm Permanent Magnet AC Servo Motors -Technical Parameters(*forced-air cooling*)



Mounting dimensions of flame size 200



Flame size 200mm													
Model	Rated Torque	Rated Voltage	Rated Speed	Rated Power	Rated Current	Kt	Ke	Max. Speed	Max. Torque	Rotor Inertia	Poles	Weight	Length
	N.m	Vac	rpm	kW	A	N.m/A	V/krpm	rpm	N.m	Kg.cm ²	poles	Kg	mm
200H75C15C	50	380	1500	8	18	3.1	192	2000	150	54	8	18	342
200H90C17C	50	380	1700	9	21	2.7	165	2210	150	54	8	18	342
200H11D20C	50	380	2000	11	24	2.3	144	2500	150	54	8	18	342
200H11D15C	70	380	1500	11	24	3.2	195	2000	210	81	8	30	379
200H13D17C	70	380	1700	13	27	2.8	175	2210	210	81	8	30	379
200H15D20C	70	380	2000	15	33	2.3	144	2500	210	81	8	30	379
200H15D15C	96	380	1500	15	34	3.1	192	2000	288	108	8	37	416
200H17D17C	96	380	1700	17	37	2.9	178	2210	288	108	8	37	416
200H20D20C	96	380	2000	20	43	2.4	151	2500	288	108	8	37	416
200H18D15C	118	380	1500	18	41	3.2	197	2000	354	134	8	48	453
200H21D17C	118	380	1700	21	47	2.8	171	2210	354	134	8	48	453
200H25D20C	118	380	2000	25	55	2.4	146	2500	354	134	8	48	453
200H22D15C	140	380	1500	22	49	3.2	195	2000	420	160	8	57	490
200H25D17C	140	380	1700	25	54	2.8	175	2210	420	160	8	57	490
200H29D20C	140	380	2000	29	61	2.5	154	2500	420	160	8	57	490
200H25D15C	157	380	1500	25	54	3.2	195	2000	471	160	8	57	490
200H28D17C	157	380	1700	28	59	2.8	175	2210	471	160	8	57	490
200H33D20C	157	380	2000	33	68	2.5	154	2500	471	160	8	57	490

Insulation grade: Class-H; Thermal protection : PT100, with KTY optional; Protection grade: IP65(except the part of the wind hood); Wiring method: Aviation plug or terminal box; Fan voltage: 220V; Working standard: Long-term, S1