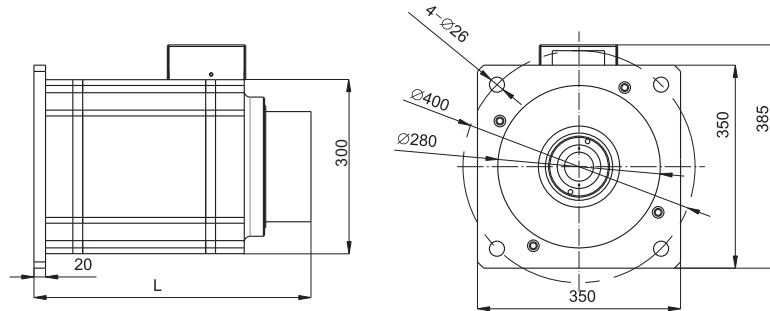
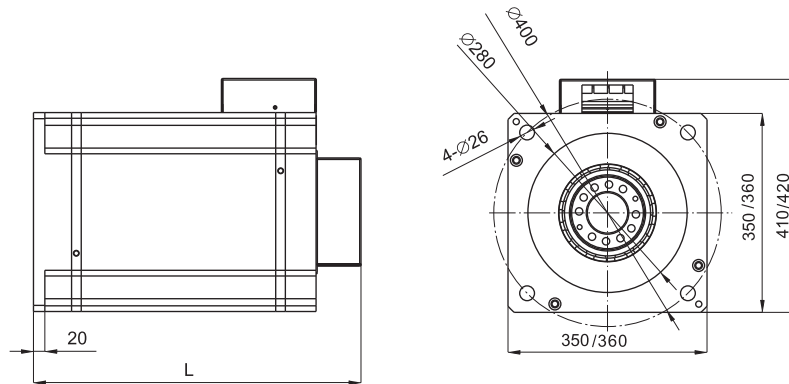


300mm, 350mm Permanent Magnet AC Servo Motor - Technical Parameters (*direct-driven*)



Mounting dimensions of flame size 300



Mounting dimensions of flame size 350/360

Flame size 300mm

Model	Rated Torque	Rated Voltage	Rated Speed	Rated Power	Rated Current	Kt	Ke	Max. Speed	Max. Torque	Rotor Inertia	Poles	Weight	Length
	N.m	Vac	rpm	kW	A	N.m/A	V/krpm	rpm	N.m	Kg.cm ²	poles	Kg	mm
300H37D35B	1000	380	350	37	91	12.2	740	400	3000	2060	20	133	475
300H55D35B	1500	380	350	55	136	12.2	740	400	4500	3010	20	180	580
300H92D35B	2500	380	350	92	214	12.2	740	400	7500	5000	20	245	780

Flame size 350mm

Model	Rated Torque	Rated Voltage	Rated Speed	Rated Power	Rated Current	Kt	Ke	Max. Speed	Max. Torque	Rotor Inertia	Poles	Weight	Length
	N.m	Vac	rpm	kW	A	N.m/A	V/krpm	rpm	N.m	Kg.cm ²	poles	Kg	mm
350H35D35B	960	380	350	35	88	11.7	710	400	2880	2860	20	148	380
350H55D35B	1500	380	350	55	138	11.7	710	400	4500	3940	20	225	485
350H59D35B	1600	380	350	59	147	11.7	710	400	4800	5560	20	235	530
360H59D35B	1600	380	350	59	147	11.7	710	400	4800	5570	20	245	538

Insulation grade: Class-H; Thermal protection : PT100, with KTY optional; Protection gade: IP65 (except the terminal box);
Wiring method: Terminal box; Cooling method : Natural cooling; Working standard: Long-term, S1