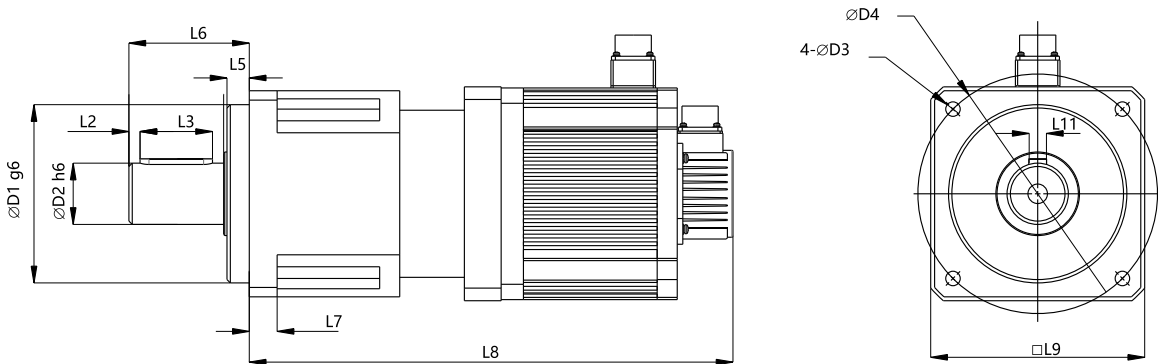


## Planetary Geared Servo Motors (natural cooling)



Mounting dimensions

Model	Rated Power kw	Rated Speed rpm	Rated Voltage	Rated Current	Reduction Ratio N:1	Output Torque Nm	Output Speed rpm	D1 Register Diameter mm	L5 Register Length mm	D2 Shaft Diameter mm	L6 Shaft Length mm	L2 Key to Shaft End mm	L3 Key Length mm	L11 Key Width mm	L7 Flange Thickness mm	L9 Flange Square mm	D3 Fixing Hole Dia. mm	D4 Fixing Hole Dis. mm	L8 Length mm
60A20B30C-RGx	0.20	3000	220V	1.6A	5	3	600	50	7	16	36.0	2	25	5	8	62	5.5	70	205
					7	4	428												
					10	6	300												
60A40B30C-RGx	0.40	3000	220V	2.7A	5	6	600	50	7	16	36.0	2	25	5	8	62	5.5	70	225
					7	9	428												
					10	13	300												
80A70B30C-RGx	0.75	3000	220V	3.1A	5	11	600	80	10	22	49.0	3	30	6	12	90	6.6	100	330
					7	16	428												
					10	22	300												
130A10C20C-RGx	1.00	2000	220V	4.1A	5	32	400	110	12	32	66.5	5	45	10	16	115	9.0	130	315
					7	45	286												
					10	64	200												
130A15C15C-RGx	1.50	1500	220V	6.2A	5	48	300	110	12	32	66.5	5	45	10	16	115	9.0	130	405
					7	67	214												
					10	96	150												
130A23C15C-RGx	2.30	1500	220V	9.8A	5	73	300	110	12	32	66.5	5	45	10	16	115	9.0	130	455
					7	103	214												
					10	146	150												
190H33C15C-RGx	3.30	1500	380V	8.2A	5	105	300	160	20	55	108.0	10	65	16	26	185	13.0	215	435
					7	147	214												
					10	210	150												
190H40C15C-RGx	4.00	1500	380V	10A	5	127	300	160	20	55	108.0	10	65	16	26	185	13.0	215	435
					7	178	214												
					10	255	150												
190H55C15C-RGx	5.50	1500	380V	13A	5	175	300	160	20	55	108.0	10	65	16	26	185	13.0	215	465
					7	245	214												
					10	350	150												
190H75C15C-RGx	7.50	1500	380V	17A	5	239	300	160	20	55	108.0	10	65	16	26	185	13.0	215	505
					7	334	214												
					10	478	150												

Insulation grade: Class-H; Thermal protection : PT100, with KTY optional; Protection grade: IP65; Wiring method: Aviation plug; Braker: Optional; Working standard: Long-term, S1