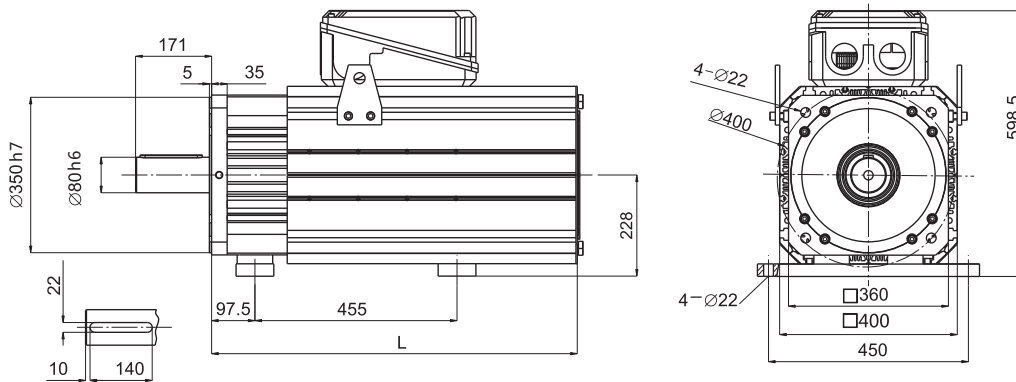
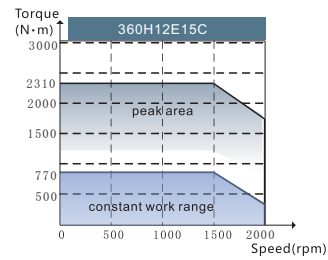
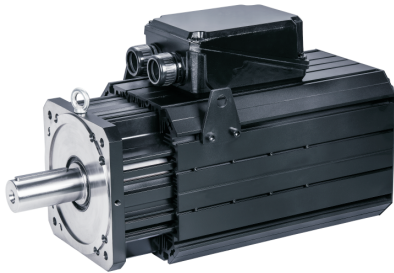


## 360mm Series Permanent Magnet AC Servo Motors - Technical Parameters (*forced-air cooling*)



Mounting dimensions of flame size 360

### Flame size 360mm

Model	Rated Torque	Rated Voltage	Rated Speed	Rated Power	Rated Current	Kt	Ke	Max. Speed	Max. Torque	Rotor Inertia	Poles	Weight	Length
	N.m	Vac	rpm	kW	A	N.m/A	V/krpm	rpm	N.m	Kg.cm <sup>2</sup>	poles	Kg	mm
360H82D15C	520	380	1500	82	185	3.1	185	2000	1560	1820	8	214	705
360H10E15C	640	380	1500	100	243	2.9	173	2000	1920	2167	8	267	755
360H12E15C	770	380	1500	120	274	3.1	185	2000	2310	2514	8	320	805
360H14E15C	900	380	1500	140	314	3.1	189	2000	2700	2861	8	373	855
360H16E15C	1020	380	1500	160	363	3.1	185	2000	3060	3208	8	424	903

Insulation grade: Class-H; Thermal protection : PT100, with KTY optional; Protection Grade: IP65(except the part of the wind hood );  
Wiring method: Aviation plug or terminal box; Fan voltage: 220V; Working standard: Long-term, S1